

## DECLARATION OF PERFORMANCE

No.: Rigidur\_Hsd\_125\_LE\_2601

(1) *Unique identification code of the product-type*  
**Rigidur\_Hsd\_125\_LE\_2601**

(2) *Intended use/es*  
**Load-bearing and non-load-bearing system components for drywall constructions (for example for wooden based or steel-based substructures). Non-load-bearing boards in ceilings. Load-bearing and bracing applications under seismic action.  
GF-C1-I-W2 (according to EN 15283-2) 12.5 mm**

(3) *Manufacturer*  
**SAINT-GOBAIN RIGIPS GmbH  
Willstätterstraße 60  
D-40549 Düsseldorf**

(4) *Authorised representative*  
**N/A**

(5) *System/s of AVCP*  
**System 3**

(6a) *Harmonised standard*  
**N/A**

*Notified body/ies*  
**N/A**

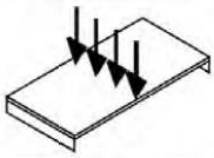
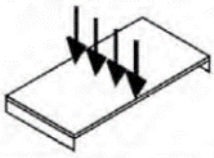
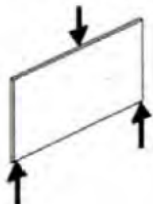
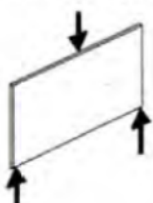
(6b) *European Assessment Document*  
**EAD 070001-02-0504**

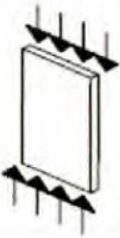
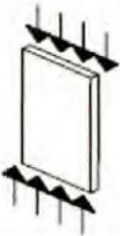
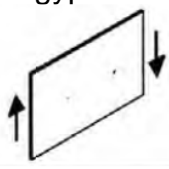
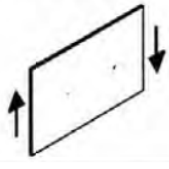
*European Technical Assessment*  
**ETA-08/0147, 07.01.2025**

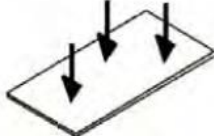
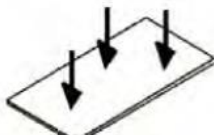
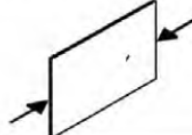
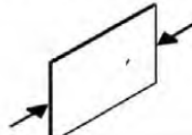
*Technical Assessment Body*  
**Österreichisches Institut für Bautechnik**

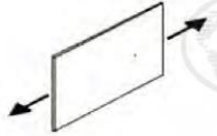
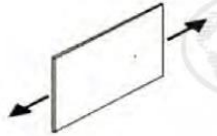
*Notified body/ies*  
**N/A**

(7) Declared performance/s

GA	Essential characteristics	Assessment method	Level / Class / Description
1	<b>Mechanical resistance and stability</b>		
<b>Bending strength</b> (in transverse direction = in longitudinal direction)			
Bending strength $f_{m, 90, k}$ Mechanical actions perpendicular to the gypsum board 	EAD 070001-02-0504 2.2.1	5,5 N/mm <sup>2</sup>	
Bending modulus of elasticity $E_{m, 90, mean}$ Mechanical actions perpendicular to the gypsum board 	EAD 070001-02-0504 2.2.1	4 500 N/mm <sup>2</sup>	
Bending strength $f_{m, 0, k}$ Mechanical actions in plane of the gypsum board 	EAD 070001-02-0504 2.2.1	4,5 N/mm <sup>2</sup>	
Bending modulus of elasticity $E_{m, 0, mean}$ Mechanical actions in plane of the gypsum board 	EAD 070001-02-0504 2.2.1	3 500 N/mm <sup>2</sup>	

GA	Essential characteristics	Assessment method	Level / Class / Description
(1.)	<b>Shear strength</b> (in transverse direction = in longitudinal direction)		
	Shear strength $f_{r, k}$ Mechanical actions perpendicular to the gypsum board 	EAD 070001-02-0504 2.2.2	1,2 N/mm <sup>2</sup>
	Shear modulus $G_{r, mean}$ Mechanical actions perpendicular to the gypsum board 	EAD 070001-02-0504 2.2.2	650 N/mm <sup>2</sup>
	Shear strength $f_{v, k}$ Mechanical actions in plane of the gypsum board 	EAD 070001-02-0504 2.2.2	2,3 N/mm <sup>2</sup>
	Shear modulus $G_{v, mean}$ Mechanical actions in plane of the gypsum board 	EAD 070001-02-0504 2.2.2	1 300 N/mm <sup>2</sup>

GA	Essential characteristics	Assessment method	Level / Class / Description
(1.)	<b>Compression strength</b> (in transverse direction = in longitudinal direction)		
	Compression strength $f_{c, 90, k}$ Mechanical actions perpendicular to the gypsum board 	EAD 070001-02-0504 2.2.3	6,0 N/mm <sup>2</sup>
	Compression modulus of elasticity $E_{c, 90, mean}$ Mechanical actions perpendicular to the gypsum board 	EAD 070001-02-0504 2.2.3	300 N/mm <sup>2</sup>
	Compression strength $f_{c, 0, k}$ Mechanical actions in plane of the gypsum board 	EAD 070001-02-0504 2.2.3	9,0 N/mm <sup>2</sup>
	Compression modulus of elasticity $E_{c, 0, mean}$ Mechanical actions in plane of the gypsum board 	EAD 070001-02-0504 2.2.3	4 500 N/mm <sup>2</sup>

GA	Essential characteristics	Assessment method	Level / Class / Description
(1.)	<b>Tensile strength</b> (in transverse direction = in longitudinal direction)		
	Tensile strength $f_{t, 0, k}$ Mechanical actions in plane of the gypsum board 	EAD 070001-02-0504 2.2.4	2,2 N/mm <sup>2</sup>
	Tensile modulus of elasticity $E_{t, 0, mean}$ Mechanical actions in plane of the gypsum board 	EAD 070001-02-0504 2.2.4	4 500 N/mm <sup>2</sup>
	<b>Racking strength</b>	EAD 070001-02-0504 2.2.5	Calculation acc. to EN 1995-1-1 Reduction factor for loss of racking strength and stiffness: $k_{red} = 0,65$
	<b>Density</b>	EN 15283-2	$1000 \text{ kg/m}^3 \leq \rho \leq 1350 \text{ kg/m}^3$ Density 1200 kg/m <sup>3</sup>
	<b>Creep and duration of the load</b>	EAD 070001-02-0504 2.2.8	see Annex 3 of ETA-08/0147
	<b>Dimensions</b>	EN 15283-2	Panel thickness $\leq 18 \text{ mm}$ : t: $\pm 0,5 \text{ mm}$ b: $+0/-4 \text{ mm}$ l: $+0/-5 \text{ mm}$ Squareness: $\leq 2,5 \text{ mm/m}$
	<b>Dimensional stability</b> Shrinkage and swelling Moisture content during service shall not change to such an extent that adverse deformation will occur.	EN 318	per 30 % change in relative humidity: $\leq 0,45 \text{ mm/m}$
	<b>Surface hardness</b>	EN 15283-2 5.11	Passed for board type GF-I
	<b>Embedment strength</b> of fasteners (staples, nails, screws) in boards	EAD 070001-02-0504 2.2.6	see Annex 4 of ETA-08/0147
	<b>Head pull-through parameter</b> of fasteners (staples, nails, screws) in boards	EAD 070001-02-0504 2.2.7	see Annex 4 of ETA-08/0147

GA	Essential characteristics	Assessment method	Level / Class / Description
	<b>Structural cohesion of the core at high temperature</b>	EN 520 5.10	Passed for board type F
	<b>Static ductility</b> of dowel-type fasteners (staples, screws) in boards	EAD 070001-02-0504 2.2.11	see Annex 5 of ETA-08/0147
2.	<b>Safety in case of fire</b>		
	<b>Reaction to fire</b> $\rho \geq 1200 \text{ kg/m}^3$	EN 13501-1	A2-s1, d0
3.	<b>Hygiene, health and environment</b>		
	<b>Water vapour permeability</b> specified as water vapour diffusion resistance Water vapour diffusion equivalent air layer thickness ( $s_d$ ) ( $\rho = 1237 \text{ kg/m}^3$ )	EN ISO 12572	1423  4.6
	<b>Water penetration</b>		NPD
	<b>Water absorption</b> - Board surface  - Total	EN 15283-2, 5.8  EN 15283-2, 5.9	Passed for board type GF-W2 < 30 %
	<b>Moisture absorption</b>		NPD
4.	<b>Safety and accessibility in use</b>		
	<b>Hard body impact resistance</b>	EN 1128	IR = 27 mm/mm
5.	<b>Protection against noise</b>		
	<b>Airborne sound insulation</b>		NPD
	<b>Acoustic absorption</b>		NPD
6.	<b>Energy economy and heat retention</b>		
	<b>Thermal resistance</b> specified as thermal conductivity $\lambda_{10, \text{dry}}$	EN 12664	0.20 W/(m·K)
	<b>Air permeability</b>		NPD
	<b>Coefficient of thermal expansion</b>		NPD
	<b>Aspects of durability</b>		
	<b>Mould resistance</b>		NPD

(8) *Appropriate Technical Documentation and/or Specific Technical Documentation*  
N/A

The performance of the product identified above is in conformity with the set of declared performance/s. This declaration of performance is issued, in accordance with Regulation (EU) No 305/2011, under the sole responsibility of the manufacturer identified above.

Signed for and on behalf of the manufacturer by:

Düsseldorf, 22. January 2026



---

Cordula Gudduschat, Managing Director



The above Declaration of Performance is valid for the following products:

**Rigidur Hsd 12.5**

Template for the CE marking to be affixed to the product:

<b>CE</b>	
<b>SAINT-GOBAIN RIGIPS GmbH</b> Willstätterstraße 60 D-40549 Düsseldorf  13  <b>Rigidur_Hsd_125_LE_2601</b>	
<b>EAD 070001-02-0504</b>	
<b>Load-bearing and non-load-bearing system components for drywall constructions (for example for wooden based or steel-based substructures). Non-load-bearing boards in ceilings. Load-bearing and bracing applications under seismic action. GF-C1-I-W2 (according to EN 15283-2) 12.5 mm</b>	
Reaction to fire	A2-s1, d0
Water vapour permeability specified as water vapour diffusion resistance	1423
Thermal conductivity	0.20 W/(m·K)
For the values according to the ETA, please refer to the declaration of performance or ETA.	

